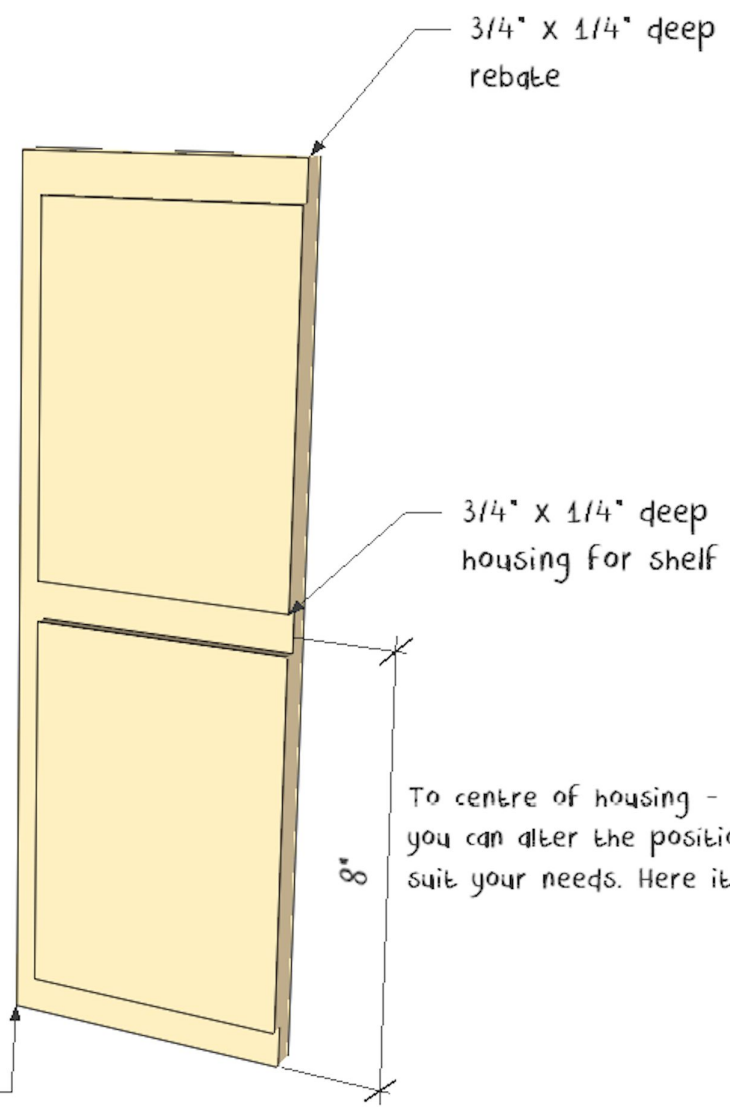
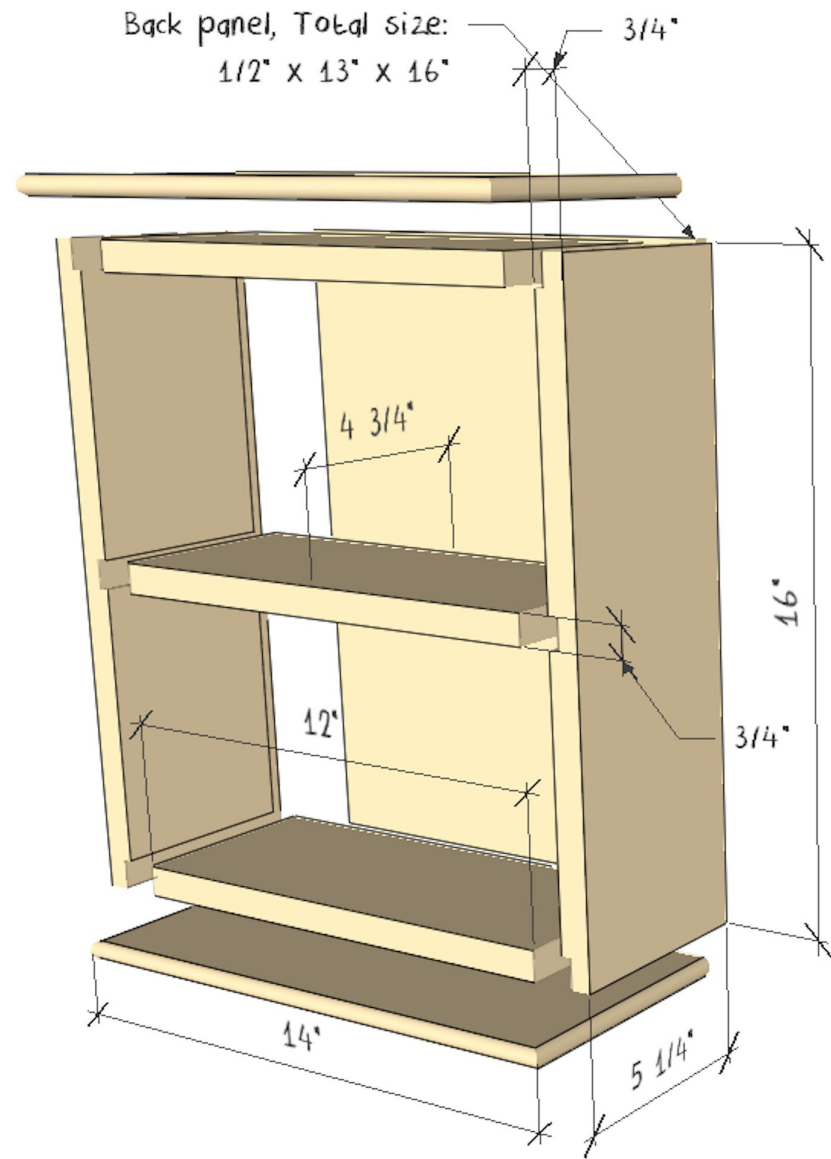


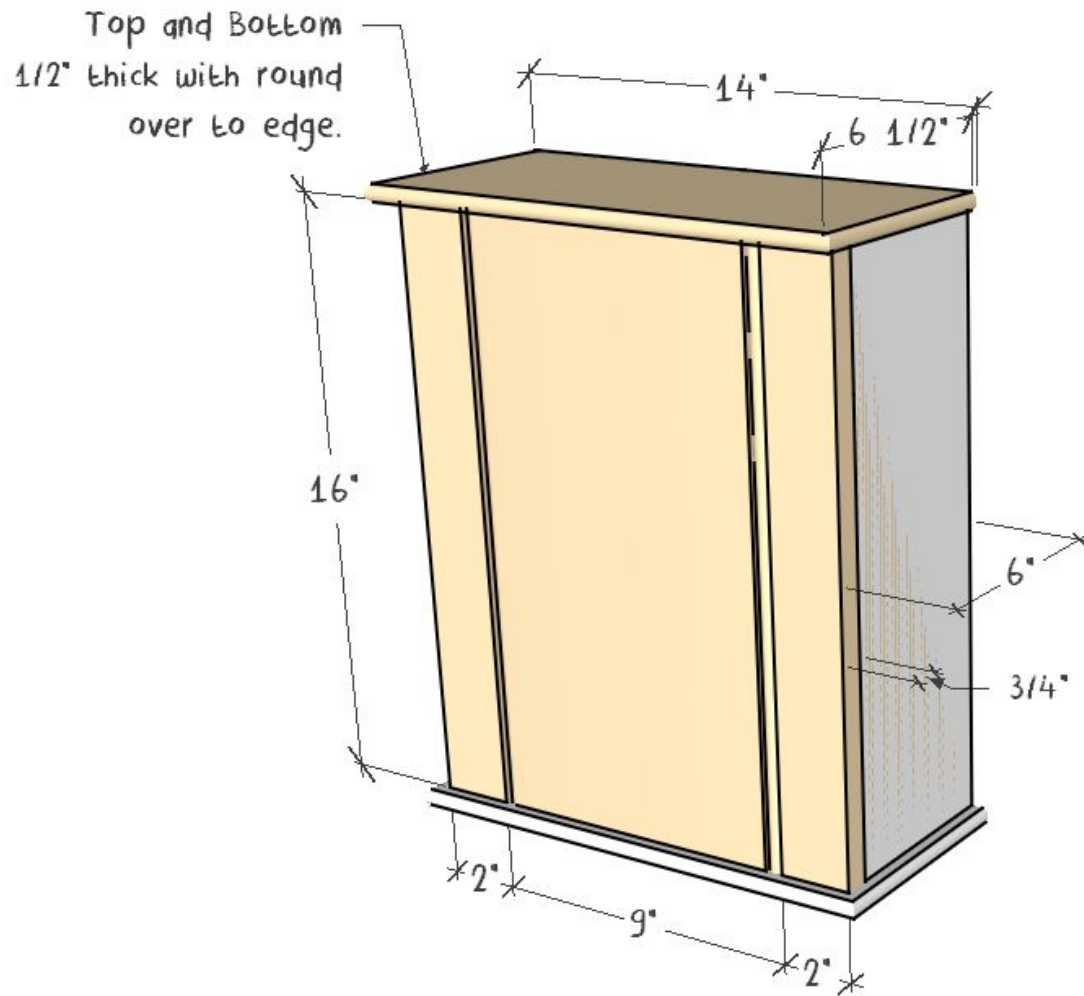
THE WALL CUPBOARD



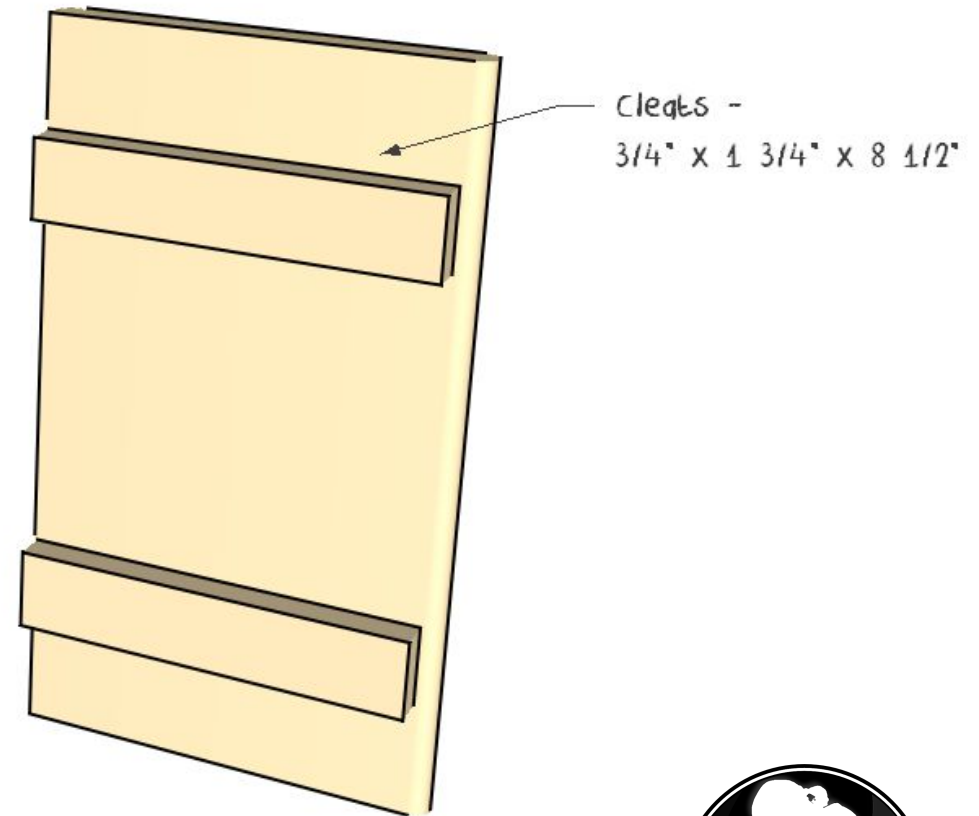
1 1/2" x 1/4" deep rebate for back



THE WALL CUPBOARD



Inside Face of door -



MATERIALS:

- 1" x 9" pre- planed pine (delivered at 3/4" x 8 3/4")
- Joinery reinforced with wooden or iron nails.
- Top & bottom and Cleats on door attached with 2" wire nails.
- Back attached with 1" to 1 1/4" panel pins.

