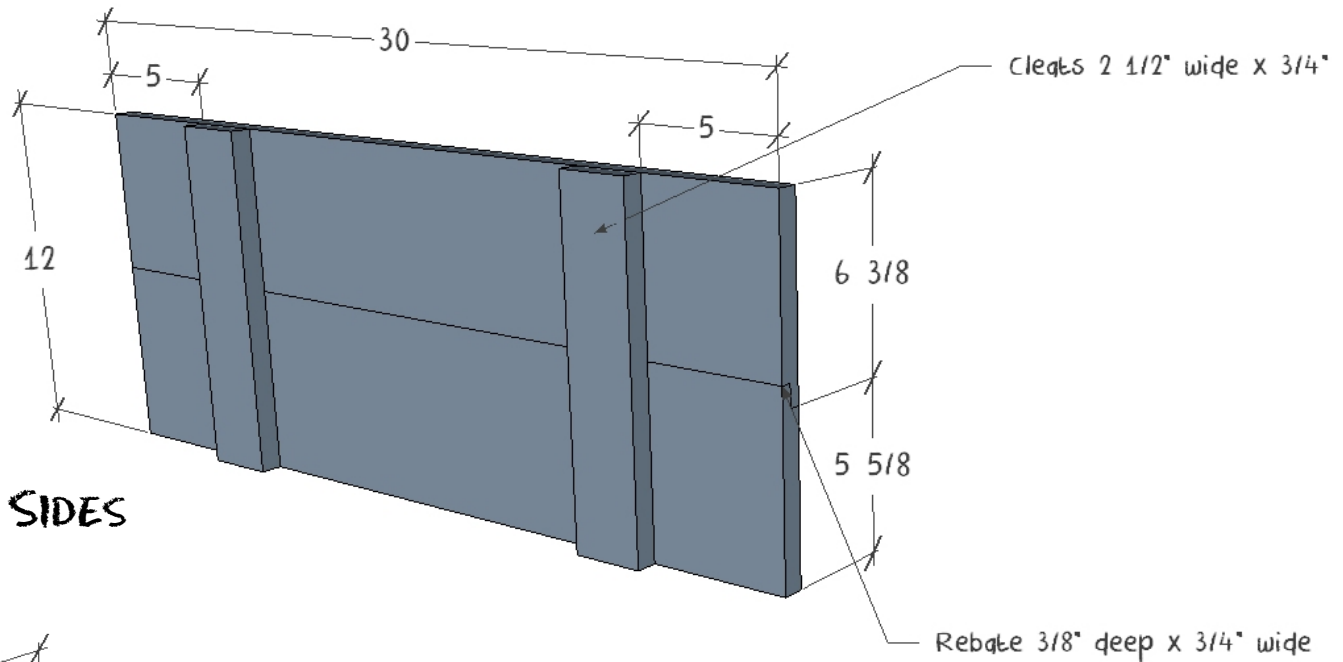


# THE CLINCHED TOOL CHEST



# MATERIALS:

- All boards are 3/4" in thickness
- Oval Wire nails used for clinching if available.



# SHORT SIDES

