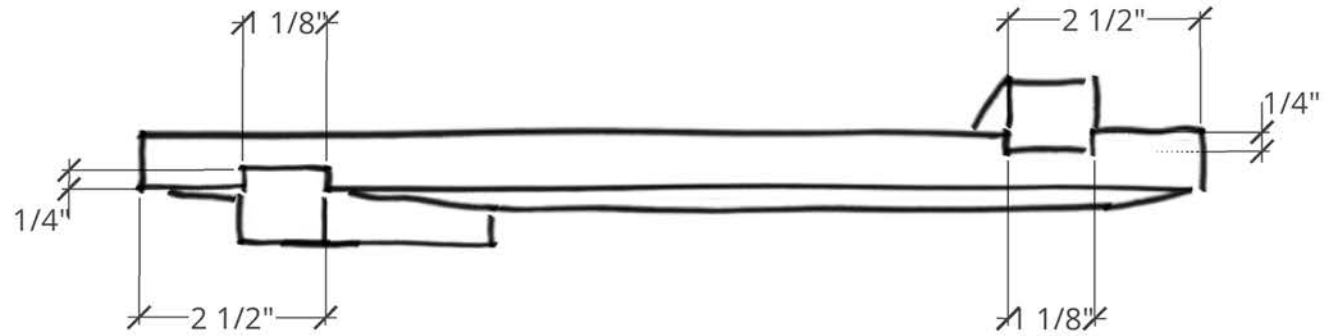
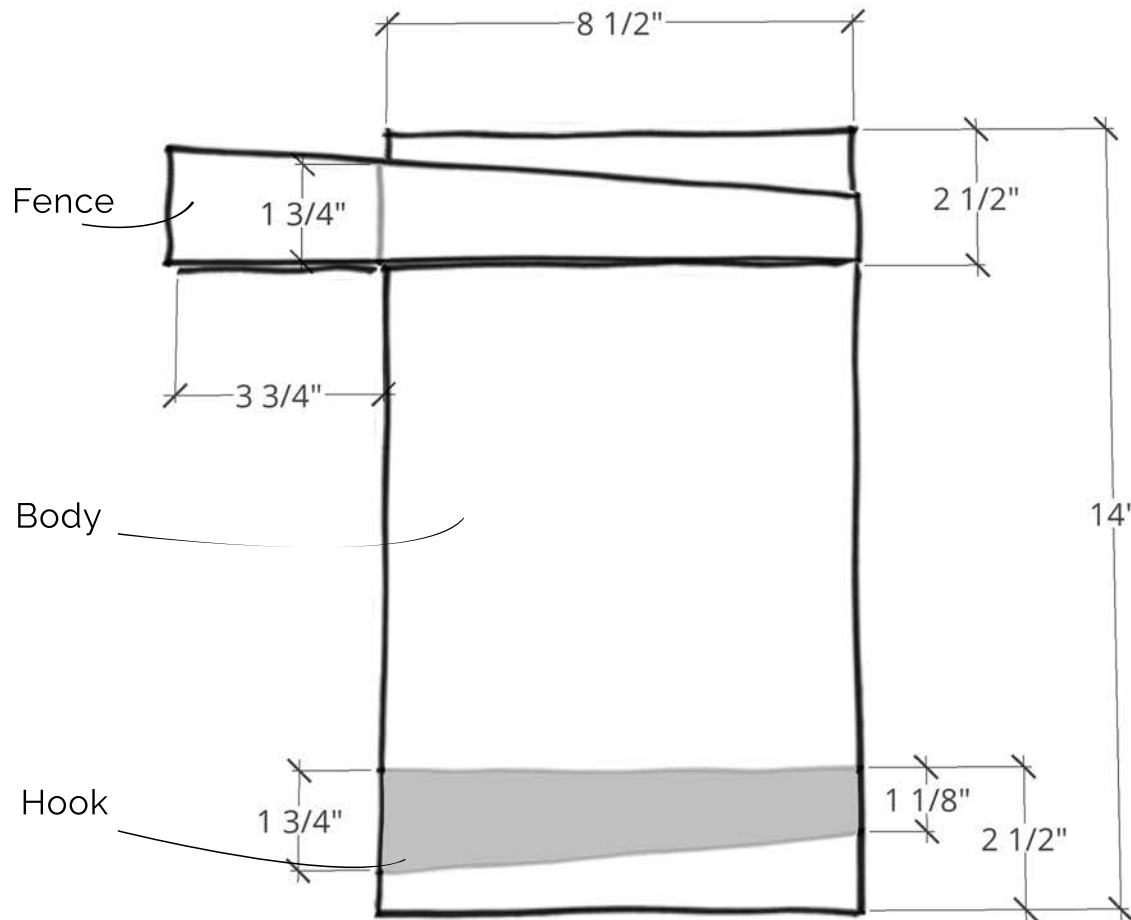


The Shooting Board



Side View



Top View

Thicknesses:

Body: 3/4" (*ish*)

Hook & Fence: 7/8" (*ish*)

Cut the body over length & trim down after assembly.

Mortices are 1/4" deep.

New to Hand Tools?

Set-up quickly & get cracking with our E-Book guide!

Download Now!

